



1: SPORTING REGULATIONS

These regulations are subject to change and amendment at any time during 2013 by giving 7 days notice to registered competitors. To ensure competitors receive amended regulations they must register for the series.

1.1: TITLE & JURISDICTION:

The **STOCK CLIO SERIES** is organised and administered by the 750 Motor Club Ltd in accordance with the General Regulations of the Royal Automobile Club Motor Sports Association (incorporating the provisions of the International Sporting Code of the FIA) and these Championship Regulations.

1. **MSA Permit No:** TBA.
2. **MSA Series Grade:**
3. **Race Status:** Clubman/National B.

1.2: OFFICIALS:

1. **Co-Ordinator:** G.Groombridge, The Conservatory Suite, Donington Park, Castle Donington, Derbyshire, DE74 2RP.. (☎ 01332 814548; ✉ Racing@750mc.co.uk)..

2. **Eligibility Scrutineer:** M. Lampkin-Smith
3. **Championship Stewards:** TBA

1.3: COMPETITOR ELIGIBILITY:

1. Entrants must be fully paid up valid membership card holding members of the 750 Motor Club Ltd and possess a valid current year's MSA Entrants Licences.
2. Drivers must be fully paid up valid membership card holding members of the 750 Motor Club Ltd, be registered for the Series and hold a valid MSA National B (or higher grade) Race Licence or be a professional driver in possession of a valid Licence (featuring an E.U flag) & medical issued by the ASN of a member country of the European Union (MSA Regulation H26.2.1.)
3. All necessary documentation must be presented for checking at all rounds when signing-on.

1.4: REGISTRATION:

1. All drivers must register for the series by returning the Registration Form with the Registration Fee to the Coordinator prior to the Final Closing date for the first round being entered.
2. The Registration Fee is £85.00 payable to the 750 Motor Club upon registration.
3. Registrations will be accepted from 1st January 2013 until the closing date for the last round of the series.
4. Registration numbers will be the permanent Competition number for the Series.

1.5: SERIES ROUNDS:

The **STOCK CLIO SERIES** will be contested over the following rounds:

| Date | Circuit | Round/s |
|-----------|--------------|---------|
| 01 Apr | Mallory Park | 2 |
| 27/28 Apr | Brands | 2 |
| 26 May | Snetterton | 2 |
| 15/16 Jun | Pembrey | 2 |
| 24/25 Aug | Silverstone | 2 |
| 21/22 Sep | Donington | 2 |
| 12/13 Oct | Cadwell Park | 2 |

1.6: AWARDS:

1. All awards are to be provided by the Organising Club unless agreed otherwise.
2. Per Round: 1st, 2nd & 3rd.
3. Presentations: Garlands and Trophies are to be provided for presentation at the end of each race.
4. Entertainment Tax Liability. Not applicable.

2: SPORTING REGULATIONS - JUDICIAL PROCEDURES

Rounds: In accordance with Section C of the current year's MSA

Yearbook and 4.2. of these regulations.

3: SPORTING REGULATIONS – 750MC RACE MEETINGS & RACE PROCEDURES

3.1: ENTRIES:

1. Competitors are responsible for sending in correct and complete entries with the correct entry fees prior to the close of entry dates as per the entry forms.
2. Incorrect or incomplete entries (including driver to be nominated entries) are to be held in abeyance until they are complete and correct and the date of receipt for acceptance of entry purposes shall be the date on which the Secretary of the Meeting receives the missing or corrected information or fee.
3. Any withdrawal of entry or driver/car changes made after acceptance of any entry must be notified to the Secretary of the Meeting in writing. If driver/vehicle changes are made after the publication of Entry Lists with Final Instructions, the Competitor concerned will be accepted in accordance with D25.1.12.
4. The entry fee for each round shall be as per the Supplementary Regulations.
5. In the event of any rounds being oversubscribed the Organising Club may, in liaison with the Series Coordinator, at their discretion run Qualification races. For Qualification Race procedures see 3.13 of these regulations.
6. Reserves are to be nominated on the Final List of Entries published with the Final Instructions or Amendment Sheet Bulletins. Reserves will practice and replace non-qualified (including drivers practising out-of-session or qualifying by virtue of having raced at the circuit within the previous 12 months), withdrawn or retired entries in Reserve Number order irrespective of class. If reserves are given Grid Places prior to issue of the first Grid Sheets for any round, the times set in practice shall determine their grid positions. If Reserves are given places after publication of the grid sheet and prior to cars being collected in the Official "Assembly Area" they will be placed at the rear of the grid and be started without any time delay. Otherwise they will be held in the Pitlane and be released to start the race after the last car to start the Green Flag Lap or last car to take the start has passed the startline or pitlane exit whichever is the later. Such approval to start MUST be obtained from the Clerk of Course.
7. Acceptance of Entries: Up to Closing Day, Race meeting organisers may accept up to the maximum number of starters permitted on the Track Licence for the circuit ("the maximum"). If entries received by closing day exceed the maximum, selection will be made in order of receipt. Those in excess of the maximum and up to 20% more will be treated as 'reserves'. If the maximum has not been reached by closing day, entries received after that date will be accepted strictly in order of receipt until the maximum is reached.

3.2: BRIEFINGS:

Organisers must notify competitors of the times and locations for all briefings in the Final Instructions or Official Race Day Bulletins for the meetings. Competitors must attend all briefings.

3.3: PRACTICE:

Practice sessions will be as per MSA Regulations Q4.5. Should any practice session be disrupted, the Clerk of the Course shall not be obliged to resume the session or re-run sessions to achieve the championship criteria and the decision of the Clerk of the Course shall be final.

3.4: QUALIFICATION:

Each driver should complete a minimum of 3 laps practice in the car to be raced and in the correct session in order to qualify for selection and order of precedence as set out in MSA regulations Q4.5. Drivers practising out-of-session or qualifying by virtue of having raced at the circuit within the previous 12 months will be placed at the back of the grid. The Clerk of the Course and/or Stewards of the Meeting shall have the right to exclude any driver whose practice times or driving are considered to be unsatisfactory - as per MSA Regulation Q4.5.

These regulations are subject to change and amendment at any time during 2013 by giving 7 days notice to registered competitors.



3.5: RACES:

The standard minimum scheduled race distance shall be 13 minutes plus 1 lap. Any race distance can be reduced at the discretion of the Clerk of the Course or Stewards of the Meeting.

3.6: STARTS:

Unless modified by the Organising Club's Standing Regulations, the following regulations shall apply:-

1. There will be a minimum elapsed period of 3 minutes from cars being released from the Assembly Area to the start of the race or, if applicable, the green flag lap.

2. Start Procedure: In normal circumstances there will be no green flag lap. A 'two minute' board will be shown on the startline; engines should be started at this stage and the grid cleared of any pit crew. A 'one minute' board will be shown, followed by a '30 second' board; a '5 second' board will be displayed; approximately 5 seconds after this board is withdrawn the red lights will be switched on; after between 2 seconds and 7 seconds they will be switched off to start the race. In the event of the failure of these lights a National Flag will be used to start the race.

In circumstances where a green flag is used, it will be waved from the startline to commence the green flag lap. The pole position driver should set a reasonable pace during this lap and slow down on approaching the startline to allow the grid to close up. Drivers should resume their correct grid positions with the minimum of delay. Any drivers unable to start the green flag lap or start the race are required to indicate their situation as per MSA regulation Q12.13.2. Drivers may make up any lost grid position during this green flag lap, BUT any drivers unable to maintain grid position to the extent that ALL other cars are ahead of them, may complete the green flag lap but MUST remain at the rear of the last row of the grid but ahead of any cars to be started with a time delay.

A '5 second' board will be displayed when the grid is stationary. Approximately 5 seconds after this board is withdrawn the red lights will be switched on; after between 2 seconds and 7 seconds they will be switched off to start the race. In the event of the failure of these lights a National Flag will be used to start the race.

3. Any car removed from the grid or driven into the pits after leaving the Assembly Area shall be held in the pitlane and may start the race after the last car to take the start from the grid has passed the startline or pit exit lane whichever is the later.

4. Excessive weaving to warm-up tyres - using more than 50% of the track width - and falling back in order to accelerate and practice starts, is prohibited.

3.7: RACE STOPS:

As per Q5.4 to 5.4.3. of the current MSA Yearbook.

3.8: RE-SCRUTINY:

All vehicles reported involved in contact incidents during races or practice must be re-presented to the Scrutineers before continuing in the races or practice.

3.9: PITS AND PITLANE SAFETY:

1. Pits: Entrants must ensure that the MSA, Circuit Management and Organising Club Safety Regulations are complied with at all times.

2. Pitlane: The outer lane or lanes are to be kept unobstructed to allow safe passage of cars at all times. The onus shall be on all drivers to take all due care and drive at minimum speeds in pit lanes.

3. Refuelling may only be carried out in accordance with the MSA Regulation Q13, Circuit Management regulations and the SRs or Final Instructions issued for each Circuit/Meeting.

3.10: RACE FINISHES:

After taking the chequered flag drivers are required to: - Progressively and safely slow down, remain behind any competitors ahead of them, return to the pitlane entrance as instructed, comply with any directions given by Marshals or Officials and to keep their helmets on and harnesses done up while on the circuit or in the pitlane.

3.11: RESULTS:

All Practice timesheets, grid sheets and Race Results are to be deemed PROVISIONAL until all vehicles are released by Scrutineers after post-practice/race scrutineering and/or after completion of any judicial or technical procedures.

3.12: TIMING MODULES:

The 750 Motor Club utilises AMB transponder-based timing and competitors **must** have a compatible transponder fitted and working, and advise the race organisers of its number prior to the event. The transponder is a TRANX 260 Direct Powered and is available from HS Sports Ltd – 01260 275708.

3.13: QUALIFICATION RACES:

If on closing date the number of entries received is appreciably more than the maximum number of starters permitted, the race meeting organisers will endeavour if feasible within the timetable, to run practice sessions and races to accommodate all entries, but are not obliged to do so. The grid for the heat will be filled by the slowest drivers from practice/s, the remainder forming the front part of the grid for the final. Spaces on the back of the grid for the final will be filled by the top classified finishers in the heat. If there are two practice sessions and the track conditions for them are significantly different, the grid for the heat will be filled by taking alternately from each session the slowest drivers until the grid is full. If three practice sessions/races are to be run, the selection procedure will be stated in the Final Instructions.

3.14: CANCELLED/ABANDONED RACES:

There may be occasions when, due to circumstances on the day, a scheduled race is not run, a race meeting is abandoned or the circuit curfew is reached. The 750 Motor Club will use its best endeavours to find space in another race meeting in the same season in order to run a replacement round; preference will be given to a race meeting where the affected formula is already scheduled to race. No change of vehicle or class will be permitted without the permission of the Series Stewards and then only in exceptional circumstances.

A: The qualifying session for a race/s does not take place.

Entry for the replacement race will be restricted to those who were 'signed on' for the race which is being replaced. A separate qualifying session will normally be held.

B: The qualifying session for a race/s has taken place, but the race did not come under starters orders.

Entry for the replacement race will be restricted to those who were qualified for the race which is being replaced; the grid for the cancelled race will be used for the replacement race.

C & D below apply if a race is 'red flagged' once.

C: A race is 'red flagged' before the leader has completed two laps, but there is no time available to restart the race.

Entry for the replacement race will be restricted to those who would have been able to restart the race which is being replaced; the grid for the cancelled race will be used for the replacement race.

D: A race is 'red flagged' after the leader has completed two laps but less than 75% of its duration, but there is no time available to implement MSA regulation Q5.4.2.

If the Clerk of Course decides that a replacement race should be run it will be in accordance with MSA regulation Q5.4.2. If no space can be found for a replacement race, a result will be declared retrospectively based on the order of crossing the finish line at one lap less than at the first time of the showing of the red flag and only cars which were under their own power at the showing of the red flag will be classified.

If a race is 'red flagged' twice and the second red flag is before the leader has completed two laps, the Clerk of Course may decide to rerun the race on the same day subject to circuit curfew but is not obliged to do so. If the decision is taken that it should not be rerun on



the day or it cannot because of circuit curfew, it will be considered an abandoned race.

3.15: Additional Sporting Regulations issued for the Championship.

1. Any driver competing in the Series may be called before a meeting of the Series Stewards who, at their discretion, may take further action that could include exclusion from part or all of the Series.
2. The Organisers will use any evidence available to them to request that the Series Stewards investigate any drivers who are deemed to show poor driving standards or bring the series into disrepute in any such manner through on and / or off track incidents. This will include any complaints made officially by registered competitors.
3. Series Stewards are also empowered to consider any request from the Series co-ordinator to penalise any Competitor for any breach of series regulations and, after holding a formal hearing if they deem it necessary, to impose a penalty in accordance with MSA Regulation C.2.1.1 (subject to the rights of appeal provided for in Section C).
4. One or more of the following may be imposed by the Series Stewards as appropriate:
 - a) Reprimand.
 - b) Fine. This may be also applied in the case of a driver receiving three reprimands from the Series Stewards in one season.
 - c) Time Penalty.
 - d) Suspension from all or part of the series. This may also be applied in the case of a driver receiving two fines from the Series Stewards in one season.
 - e) Disqualification.

4: SERIES RACE PENALTIES:

4.1: INFRINGEMENT OF TECHNICAL REGULATIONS:

1. Arising from post-practice scrutineering or judicial action: Should a vehicle be found ineligible, the Clerk of Course will impose the penalty set out in MSA Regulation C3.3.
2. Arising from post-race scrutineering or judicial action: Should a vehicle be found ineligible, the Clerk of Course will impose the penalties set out in MSA Regulation C3.5.1 a & b and may impose the penalty set out in MSA Regulation C3.5.1 c. Technical infringements may be referred to the Stewards for further action/penalties.

4.2: INFRINGEMENT OF NON-TECHNICAL MSA REGULATIONS and the Sporting Regulations issued for the Series:

1. In the case of a driver being excluded from a race, the Clerk of Course will impose the penalties set out in MSA Regulation C3.5.1 a & b and may impose the penalty set out in MSA Regulation C3.5.1 c.
2. In order to maintain standards of conduct, the Series Organisers will monitor all Officials/Observers reports of adverse behaviour at race meetings. If any individual is included on two such reports during one racing season the Series Organisers will request the Clerk of Course at future race meetings to consider specific observation of that driver's conduct.
3. The Clerk of Course may impose a 'Stop-Go' or 'Drive through' penalty during a race, in accordance with MSA Regulation Q12.6.
4. Any Competitor who is penalised under the Series Sporting Regulations at any stage of a Series event and receives an allocation of penalty points on their race licence in accordance with MSA regulations, will receive a grid slot penalty at the next round in which they compete following the allocation of penalty points, equal to the number of penalty points which were allocated. Double headers will be considered as two separate rounds; however if the decision to allocate penalty points is delayed such that further round/s of the Series have taken place since the offence, the grid slot penalty will be implemented at the next round in which they compete after the allocation of the penalty points.

The penalty will mean that a Competitor will be moved back grid slot places from their grid position (e.g. if a Competitor with a three grid slot penalty had a qualifying time that was good enough for pole position then the Competitor will start fourth on the grid). If for any reason the imposition of this grid penalty is impractical (such as the

competitor's qualifying time, starting from the pitlane etc) or the offence occurs at the final meeting of the season, a time penalty of 5 seconds will be added to the elapsed race time of the competitor.

5. Additional specific Series penalties as per 3.15 of these regulations.

4: CHAMPIONSHIP RACE PENALTIES:

4.1: INFRINGEMENT OF TECHNICAL REGULATIONS:

1. Arising from post-practice scrutineering or judicial action: Should a vehicle be found ineligible, the Clerk of Course will impose the penalty set out in MSA Regulation C3.3.
2. Arising from post-race scrutineering or judicial action: Should a vehicle be found ineligible, the Clerk of Course will impose the penalties set out in MSA Regulation C3.5.1 a & b and may impose the penalty set out in MSA Regulation C3.5.1 c. Technical infringements may be referred to the Series Stewards for further action/penalties.
3. Additional specific Series penalties: See 4.2.2.

4.2: INFRINGEMENT OF NON-TECHNICAL MSA REGULATIONS and the Sporting Regulations issued for the Series:

1. In the case of a driver being excluded from a race, the Clerk of Course will impose the penalties set out in MSA Regulation C3.5.1 a & b and may impose the penalty set out in MSA Regulation C3.5.1 c.
 2. In order to maintain standards of conduct, the Series Organisers will monitor all Officials/Observers reports of adverse behaviour at race meetings. If any individual is included on two such reports during one racing season the Series Organisers will request the Clerk of Course at future race meetings to consider specific observation of that driver's conduct.
 3. The Clerk of Course may impose a 'Stop-Go' or 'Drive through' penalty during a race, in accordance with MSA Regulation Q12.6.
 4. Any Competitor who is penalised under the Series Sporting Regulations at any stage of a Series event and receives an allocation of penalty points on their race licence in accordance with MSA regulations, will receive a grid slot penalty at the next round in which they compete following the allocation of penalty points, equal to the number of penalty points which were allocated. Double headers will be considered as two separate rounds; however if the decision to allocate penalty points is delayed such that further round/s of the Series have taken place since the offence, the grid slot penalty will be implemented at the next round in which they compete after the allocation of the penalty points.
- The penalty will mean that a Competitor will be moved back grid slot places from their grid position (e.g. if a Competitor with a three grid slot penalty had a qualifying time that was good enough for pole position then the Competitor will start fourth on the grid). If for any reason the imposition of this grid penalty is impractical (such as the competitor's qualifying time, starting from the pitlane etc) or the offence occurs at the final meeting of the season, a time penalty of 5 seconds will be added to the elapsed race time of the competitor.

5: TECHNICAL REGULATIONS

5.1: INTRODUCTION:

- a) The following Technical Regulations are set out in accordance with the MSA specified format and it should be clearly understood that if the following texts do not clearly specify that you can do it, you must work on the principle that you cannot. The fact that some modifications are mentioned as prohibited does not imply that others are allowed.
- b) **STANDARD:** The word 'standard' used within these technical regulations as a description of components is to be interpreted as per 'Standard Part' defined in Section B – Nomenclature & definitions in the MSA Blue Book. Checking will be by comparison to spare parts supplied by the manufacturer's official agent or by any other means necessary to ensure compliance. It applies to the specified component/s from the manufacturer's parts list for the model / engine shown on the entry form or registration form. No modifications permitted beyond the repair or adjustment processes specifically specified by the manufacturers' workshop manual or microfiche.' Checking will be by comparison to spare parts supplied by the manufacturer's official agent or by any other means necessary to

These regulations are subject to change and amendment at any time during 2013 by giving 7 days notice to registered competitors.



ensure compliance. Where specifications for parts (e.g camshaft, final drive, gear ratios, anti-roll bars etc) are stated within table 6.3 of these regulations, they are mandatory for that make and model of car.

c) STANDARD PATTERN: The words 'standard pattern' used within these technical regulations as a description of components is to be interpreted as per 'Standard Pattern Part' defined in Section B – Nomenclature & definitions in the MSA Blue Book. Checking will be by comparison to spare parts supplied by the manufacturer's official agent or by any other means necessary to ensure compliance.

d) Homologation papers, including VO, VK or ES extensions, will not be accepted as proof of specification of any components.

5.2: GENERAL DESCRIPTION:

1) The STOCK CLIO SERIES is for Competitors participating in the RENAULT 182 CLIO CUP Hatchback Car [Model:CLIO II, Model Type: CB22] available on general catalogued sale and available from stock through normal retail dealer outlets in the UK being only RHD and as specified by the 750 Motor Club Limited.

The engine capacity is 2000cc multi-valve per cylinder. This capacity limit is the original engine size. For validity and procurement of Standard parts [5.1.b and c] the Vehicle Identification Number is: VF1CB220F32892321

There are no restrictions on the trailering of cars to/from the circuit. All vehicles must comply with MOT requirements, be of sound construction and mechanical condition and be well maintained. There is no requirement for an MOT Certificate, Road Tax or Insurance. It is the intention of the 750 Motor Club Limited to equalise the performance of the cars by setting minimum weights (5.14.1) and by the addition of ballast (5.14.2). The 750 Motor Club reserves the right to amend the minimum weight specified in 5.14.1 at any stage of the season by giving 7 days notice. It is also the intention of the 750 Motor Club Limited to use other means if necessary to equalise the performance of cars by, for example, rev limiters or air intake restrictors. These restrictions may be imposed on any car and/or driver combination at any stage during the racing season. There is no appeal against the application or addition of ballast or other restrictions. All restrictors/rev limiters will remain the property of the 750 Motor Club Limited and must be returned in good condition to the Competitions Secretary within 2 weeks of the last round of each season.

2) Examination of vehicles. The organisers (in addition to any other powers they may have under these regulations) reserve the right before or after any race in the series to designate any one or more of the competing cars for special eligibility scrutineering. Competitors must be prepared, with tools and spare parts as necessary, to enable inspection of components, or to have units sealed at the circuit for later inspection by an Eligibility Scrutineer at the Competitor's expense. Upon such selection being made the competitor shall immediately place the car under the control of the organisers and be deemed to have permitted all such scrutineering, examination and testing as the organisers may reasonably require. The organisers have the right to:

a) Examine the car at the circuit for such period as they may reasonably require and take fuel samples.

b) Retain the car for detailed examination at premises chosen by the organisers. If the organisers elect to retain the car they shall make it available for collection by the competitor at least seven days prior to the qualification session for the next race in the series unless the car is found to be in breach of these regulations.

c) Seal the car and its components in such a manner as they may choose and require the competitor at their own expense to present the car at any other premises chosen by the organisers for detailed examination within a specified period and / or remove the car by transporter at no expense to the competitor to an appointed location. The competitor will be advised in writing of the time, date and location of the subsequent testing or eligibility examination.

The overseen stripping of the engine or any required component will be undertaken by the competitor and / or mechanic / technician nominated by the competitor.

5.3: SAFETY REQUIREMENTS:

The Articles of MSA Section K Safety Criteria Regulations will apply,

and specifically: Six point FIA Bolt In Roll cage, ONLY K Drawing No 5, with compulsory 'side entry' bar on both the driver and passenger side of car to either K drawing No 12g or 12h or 9. (with a compulsory diagonal from the junction of the main roll hoop behind the driver's head down to the foot of the main roll hoop on the rear passenger side). A Harness Bar (1.1.13) can be fitted as per 1.3.9 to supplement 'Hans' devices ; Seat belts as per K2.1 (not 2.1.2) and FIA homologated ; K2 and K5 – K14; Extinguishers must be plumbed in and comply with K 3.1.2 a); Towing eyes must have a minimum internal diameter of 60mm; (note the tow eye may be of either a suitable rigid or flexible material bolted to the chassis).

5.4: GENERAL TECHNICAL REQUIREMENTS & EXCEPTIONS:

All cars must comply with the requirements of sections J and Q19 of the current MSA Yearbook. All vehicles must be of sound construction and mechanical condition and be well maintained. Water hoses, oil hoses and their associated clips are free. Fasteners (eg nuts, bolts) are free. Rose Joints of any type are prohibited [except as fitted to mandatory items]. A SECTION OF ELIGIBILITY GUIDE [TECHNICAL SPECIFICATIONS] (6.0) HAS BEEN PREPARED AND THE CAR MUST COMPLY WITH THOSE SPECIFICATIONS.

The organisers reserve the right to refuse entry from a any car of which the preparation is of a poor standard (including the external appearance) and which is likely to bring the series into disrepute.

5.5: CHASSIS:

No chassis stiffening is permitted except that derived from the fitting of the roll cage using only the six mounting feet inside the car, no other attachment to the bodyshell is permitted even if provided by the cage manufacturer. Seam-welding of the shell is prohibited; fitting of a front or rear strut brace is prohibited.

5.6: BODYWORK:

(Refer to 5.1.)

1. Modifications Permitted:

- 1. General:** Mandatory fitment of laminated windscreen.
- 2. Interior:** Driver's seat may be replaced. Passenger seat, rear seats, floor coverings, roof lining, detachable boot covers (parcel shelf), radio/stereo units speakers and associated wiring, spare wheel and tools may be removed. Steering wheel may be changed (compulsory if an air bag is fitted as original equipment). Electric window winding mechanisms must be retained; all windows must remain operable and all weather strips/channels must be retained. It is permitted to remove the air-conditioning if fitted [subject to conditions stipulated in 6.4]. An interior rear view mirror must be fitted to the left of the driver. Front door panels may be replaced with aluminium sheeting - this must be executed to a high standard with no sharp edges and with smooth surface. The central locking mechanisms including locking motors must be removed; manual interior door lock mechanisms must be disabled. The standard door latching mechanism must be retained.
- 3. Exterior:** The standard Driver and passenger wing mirror 'pods' must be retained but the choice of mirror within them is free. Plastic front wheel-arch inner liners must be removed. Bonnet and rear hatch locks/latches must be removed along with any auxiliary latch; the bonnet and rear hatch must be fitted with securing pins. The original number of windscreen wiper arms/blades must remain and be fully functioning. Tailgate wiper mechanism and arm/blade must be retained and fully functioning. Front and rear washer systems must be retained and operate. *Headlamp washers must be removed and holes covered.* No other alterations to standard. All weather strips/channels must be retained. Suitable flat mounting plates 510mm x 115mm high (\pm 5mm on both dimensions) must be fitted to the normal number plate positions front & rear to carry championship decals as issued by the 750MC.
- 4. Silhouette:** No alterations to standard.
- 5. Ground Clearance:** It is permitted to alter the ride height. Under no circumstance can any part of the bodywork, or of the suspended part of the car [excluding the exhaust system], be below a horizontal plane passing 75mm above the ground, the car being in normal racing trim with the driver aboard. A gauge of 75mm may be

These regulations are subject to change and amendment at any time during 2013 by giving 7 days notice to registered competitors.



used by Scrutineers before or after races or practice to check the ground clearance; the vehicle may be stationary or moving during any testing.

2. Modifications Prohibited:

1. General: The exterior of the car must be standard for the model being raced. Any replacement body panels must be of original shape, material and thickness. The reduction in thickness of any part of the car by acid-dipping, blasting or by any other means is prohibited. No modifications may be made to or material removed from the bodywork or any of its panels including internal stiffeners other than as repairs; exterior trim must be generally standard.

2. Interior: Rear passenger side panels, Tailgate trim panel, Rear boot trim panel may not be removed. Driver and passenger upper mirror and rear window trim panels may not be removed. Any other modification in contravention of 5.6.1.2 is also prohibited. The Handbrake cover and Gearlever cover to dash must be retained. The dash fascia/instrument cluster must remain as originally fitted with the exception of immediately localized trimming for the fitment of the rollcage.

3. Exterior: It is not permitted to increase the width of the wheel arch by the addition of material to, or the deformation of, the outside or inside of the wheel arch. Additional holes for cooling, brake ducting, air intake etc may not be made in the bodywork. Bonnet / engine cover must remain in the normal position and, when closed, must not have any non-standard gaps at any of their edges. Standard fitment auxiliary lights must be removed, and replaced with Renault blanking plates [Renault part: 7701209099]. Fitment of tape etc to close body gaps (e.g. bonnet to wing) is prohibited. Recessed bonnet & rear hatch securing pins are prohibited.

4. Silhouette: Any in contravention of 5.6.1.4.

5. Ground Clearance: Any in contravention of 5.6.1.5.

5.7: ENGINE:

The only permitted engine is the Renault Clio 182 type F4R 738. All engine parts must be standard for the Vin : VF1CB220F32892321.

1. Modifications Permitted:

The replacement of valves, valve guides and valve seats with parts of standard pattern and material is permitted.

2. Modifications Prohibited:

Any other than those permitted in 5.7.1. The maximum permitted compression ratio is 11.0:1.

Checking will be by comparison to spare parts supplied under VIN:VF1CB220F32892321 by the manufacturer's official agent or by any other means necessary to ensure compliance.

The camshaft must remain entirely unmodified; it is not permitted to regrind or re-profile or grind from blanks. The standard cambelt cover/s must be retained.

NOTE: Use of either B or C type pistons is still being evaluated, it is possible only one type will be permitted this being B type.

3. Location: Position and mounting method must be standard for the model being raced. No additional engine/transmission support may be fitted.

4. Oil/Water cooling: The water radiators must remain standard in design and position with no additional air ducting. An oil cooler may be fitted within the overall periphery of the engine bay; no additional air ducts are permitted. Internal baffles may be fitted to the standard sump; the sump oil pick-up pipe may be modified.

5. Induction Systems: The complete standard induction system must be retained in its entirety; it is not permitted to add any covering, whether heat-reflective/heat-resistant or not, to the inside or outside of any part of the induction system. Air filter elements may be removed or replaced by non-standard filter elements inside the standard casing. No other modifications are permitted. The crankcase breather may vent direct to a catch tank and any holes in the air filter housing

associated with the breather system may be blanked off.

6. Exhaust systems: The complete standard exhaust manifold must be retained in its entirety.

The Twin pipe exhaust system must exit at the rear of the vehicle as standard for the Clio CB22 model type [see silhouette 5.6.1.4]. Exhaust systems may not pass through the driver/passenger compartment. The remainder of the exhaust system including silencer(s) is free but no part of the manifold, piping or silencer may have any covering or lagging, whether heat resistant, heat reflective or not.

The vehicle must be fitted with a catalytic converter in the exhaust system.

The standard heat deflector plates fitted to the underside of the body must be retained for the full length of the exhaust system.

7. Ignition systems: It is a mandatory requirement to *only fit and run the Clio series Engine Control Unit [ECU] Part Number KTRGEN90R750. The ECU is 182 specific supplied pre-mapped and locked with diagnosis and initial setup software and comms lead. The sole supplier is K-Tec Racing, for supplier details see 6.5.* The ECU is a sealed item and all seals must remain intact at all times. For ECU repairs or Servicing use only the Sole Supplier. The organisers can at any time before or after a race or practice replace the competitors ECU with their own sealed unit. No alternative or additional ECU is permitted. Plug leads and Spark plugs are free. No additional sensors are permitted. Only the standard sensors as detailed in 6.5 are permitted. Sensors must be fitted in standard positions. The second oxygen exhaust sensor after the Catalytic converter can be removed as it is not used by the ECU. The air inlet 'cold start' flap can be removed or locked in the fully open position as the function is not used by the ECU.

8. Fuel delivery systems: It is permissible to replace only the fuel lines, and filter with non-standard items. The engine fuel gallery shield block must be retained and fitted [part 8200110830]

9: Additional Specific regulations

9.1 ESP at present must be disabled at all times.

9.2 Charcoal filter may be removed.

5.8: SUSPENSIONS:

(Refer to 5.1). The original suspension configuration must be retained. Standard Front anti-roll bar must be retained and be properly connected. Standard chassis bump-stops must be fitted in the standard position.

1. Permitted modifications: It is permitted to alter the ride height within the constraints of 5.6.1. It is a mandatory requirement for all cars to run with the *K-Tec Racing Clio Series specification front and rear coil-over suspension kit Part Number KTRSX9005 and Front Top Mounts 050/KIT/KTR/002. For supplier details see 6.5.* All the items [and Bumpstops] supplied *with the K Tec suspension kit* must be utilised. For Mandatory suspension Repairs or Servicing use only the Sole Supplier. Only the adjustability of Front Tracking [toe in and toe out] and Front camber [see 6.3] within the *Mandatory suspension dampers* is permitted. Springs are free.

5.8.1.1 A Renault recognised Modification to the front top chassis suspension mounting may of occurred [enlarging the shock-absorber mounting hole], and thus the mandatory Front Top Mounts may be difficult to fit. It is permitted to weld [fit] a top mount plate manufactured to the dimensions shown in 6.7.2, onto the top of the front top chassis suspension mounting in the position shown in 6.7.3.

2. Prohibited modifications: Modifications to any of the suspension pick-up points are prohibited [except as in 5.8.1.1 above]; *this includes the 'slotting' of any suspension mounting points.* Cockpit adjustable anti-roll bars are prohibited. Offset and/or adjustable suspension strut mounts are prohibited. Adjustable hub-carrier

These regulations are subject to change and amendment at any time during 2013 by giving 7 days notice to registered competitors.



brackets are prohibited, even if the adjustability is disabled. Rear anti-roll bar is prohibited, non-standard suspension bushes are prohibited; rose joints, rod ends or similar are prohibited. Any modification which prevents a wheel from reaching its fully drooped position is prohibited. Use of any 'packing' or 'plates' is also prohibited.

3. Wheelbase/track: The wheelbase and track must be standard as detailed in 6.3.

5.9: TRANSMISSIONS:

(Refer to 5.1).

Gear selection and clutch operation must be purely mechanical, standard for the CB22 model type, and solely under direct control of the driver. No electrical connections may operate on any part of the clutch or gear controls or linkages. Note CB22 model does have a clutch switch, that is not used by the control ECU, this can be retained but must not have any other electrical or electronic device connected to it *weather by wires/wireless/magnetic means*.

1. Permitted modifications: None. Standard gearbox and final drive/axle for the CB22 model type must be retained as detailed in 6.3. Clutch cover and plate may be changed for updated standard pattern items.

2. Prohibited modifications: Any other than those permitted in 5.9.1.

3. Transmissions & Drive ratios: The use of any electronic traction control device is prohibited. Standard gearbox ratios and final drive ratios for the CB22 model type must be retained.

5.10: ELECTRICS

1. Exterior Lighting: Must be as per standard fitment and to EC requirements and be fully operational. Lights must be taped to MSA regulations.

2. Rear Warning Light: An LED rear fog light to EU regulation 7, an FIA homologated LED rear warning light is mandatory and must be fitted within 10cms of the centreline of the rear window and be located between the top edge of the tailgate and bottom edge of the tailgate glass. Integral rear fog lights must be rendered inoperative.

3. Batteries: No restrictions on type subject to MSA regulations; location must be as standard. A battery and electric starter motor must be fitted and be capable of repetitive starts. No external (slave) batteries may be used.

4. Generators: A fully working standard alternator/generator and standard pulley must be fitted and electrically connected so that the standard battery charging function is providing a charge to the onboard battery.

5. Wiring: The original standard wiring loom must be retained except as detailed in 5.6.1.2. Wiring can be added to meet 5.3, 5.4, 5.10.2 and to furnish Lap Timers, and extra gauges.

5.11: BRAKES

ABS.

There are two options, Option 1 for ABS as Standard, Option 2 Non-ABS. The Choice is either all Option 1 OR all Option 2, no combination of both options is permitted.

OPTION 1: *The Renault Clio 182 cup [CB22] is fitted with ABS as standard, this must remain standard and fully functioning with all original wheel sensors, ECU, pump and brake piping configuration. No modifications to the standard factory fitted system are allowed except as detailed in 5.11.1 below.*

OPTION 2: *The original ABS pump can be removed [NOT the ABS ECU] and brake piping configuration can be re-configured, but must have as mandatory the Tilton screw type proportioning valve [brake bias valve] part number 90-2000 fitted between the master cylinder and all rear brake wheel cylinders. The Mandatory Brake Bias valve location is free. The wheel sensors, wiring and ABS ECU must be retained and fully functioning as standard. Permitted modifications as 5.11.1 below.*

1. Permitted Modifications: Non-standard linings. Fitting of alternative brake piping/hosing. Discs may be replaced by

standard-pattern 'non-genuine' parts. The braking system must remain fully operational in all aspects at all times.

2. Prohibited Modifications: Discs / drums may not be cross-drilled or grooved. An hydraulically-operated handbrake is not permitted in that it does not comply with MOT requirements.

5.12: WHEELS / STEERING

1. Permitted Options: Wheels must be the standard 7J16 for the CB22 model type [Renault part: 8200342834 only]. Simple 'clean-up' machining/polishing and painting for refurbishment purposes only is permitted to the outer face of the wheel.

STEERING LOCK: The steering lock should be rendered inoperative, unless the vehicle is driven to the circuit on the highway. MSA regulation Q19.6.

2. Prohibited Options. None of the VO, VK or ES extensions in the vehicle's homologation papers is permitted.

3. Construction & Materials: Not applicable; standard wheels must be used.

4. Dimensions: TBD

5.13: TYRES

1. Specifications: Tyres must be road-legal in every respect. The use of tyre heating/heat retention devices, tyre treatments and compounds is prohibited. No alteration to the tyre from the manufacturer's specification is permitted. Re-cutting, re-grooving or in any other way modifying the tread pattern is not permitted. All the manufacturer's data must be clearly visible. Buffing of sidewalls to remove data is prohibited.

2. Nominated Manufacturers: Any MSA listed 1A or 1B type [Not Slicks]. Tyre profile is 205/45R16, no other permitted.

Nominated supplier: Demon Tweeks/Goerge Polley

5.14: VEHICLE WEIGHT:

1. A minimum weight including driver is set at 1070kgs. All minimum weights are including driver and race overalls, helmet etc. Random checks will be carried out during the season and no car/driver combination shall be below this minimum weight. Ballast must be added by competitors in accordance with 5.14.2 and must be carried in the car as per 5.14.3.

2. Ballast must be added (or deleted) after each series round, including 'double-headers'. 0 Kgs will be added for 1st place. 0Kgs will be added for 2nd place. ~~5 Kgs will be added for 3rd place.~~ Ballast will be limited to the cumulative total of the last five race finishes – a 'DNF' does not count as a race finish. Ballast applies to the car and driver. A change of driver or car will have no effect on the amount to be carried. An initial minimum of 10 Kgs ballast accumulation is required before the first ballast is physically added to the car. If any vehicle is underweight at post-race scrutineering, penalties as per 4.1 of these regulations will be applied.

3. Ballast must only be mounted inside the car on the front or rear passenger floor area. It is the responsibility of the competitor to provide and fit their own ballast as per the drawing in the Appendix 6.2 and to mount it to the satisfaction of the scrutineers. (Care should be taken in the mounting, by use of suitable 'spreader plates' and appropriate size and quality of bolts with reference to MSA regulation J5.15.

5.15: FUEL TANK / FUEL

1. Types: Standard fuel tank and standard components fitted to the CB22 model type. Any other fuel tank type and components fitted are prohibited. No modifications are permitted to the standard fuel tank. A non-return valve must be incorporated in the vent system. Note: MSA regulation Q 19.1.4 applies to the CB22 model type fuel tank.

2. Locations: Fuel tank must be mounted in the standard manufacturers position.

3. Fuel: Only petrol as defined in Section B Nomenclature & Definitions, **Pump Fuel a)** section of the MSA Yearbook for the current year and complying with BS4040, BSEN228 or BS7800 may be used; fuel which exceeds the stated RON (max) levels in Appendix 1 of Section B Nomenclature & Definitions is prohibited even if it is sold/promoted as being legal for UK Competition and/or obtainable



from 'roadside' pumps. The use of additives by competitors which boost the octane rating (RON) in any petrol is prohibited. At the end of practice and the race at least 3 litres of petrol from the tank of the competing car must be available to the scrutineers for analysis. Compliance with minimum weight for the car will be taken before the petrol is removed.

Note: The mandatory ECU is designed to run on 100 RON with NO additives.

5.16: SILENCING:

All vehicles must comply with the relevant maximum noise limits set out in MSA Blue Book regulation J. Chart 5.18.

5.17: NUMBERS & CHAMPIONSHIP DECALS

1. Positions: Race numbers must be displayed on each side of the vehicle alongside the cockpit/driver and as far forward on the front of the vehicle as possible. 750 Motor Club decals must be affixed prominently near all number backgrounds. Series Sponsor's decals (where applicable) must be affixed in or near the positions detailed on any diagram supplied with those decals. Cars will also be required to carry 750MC series decals on front & rear number plates in the normal number plate position. 750 Motor Club and series Sponsor's decals must take preference to any other decals. Failure to comply will render the vehicle and driver ineligible to race.

2. Suppliers: Sponsors and Club decals will be available at the first series race in which the vehicle is entered.

6. APPENDICES:

6.1. ELIGIBILITY GUIDE: Renault Clio 182 Cup, model: Clio II, model type: CB22, VIN: VF1CB220F32892321.

6.2 ESP. This must be disabled when racing, other details TBA.

6.3

Wheelbase: 2485mm ± 2.5mm

Rear Camber: -1°30' ± 20'

Rear Track: 1408 ± 2mm Rear Toe: 0°00' ± 1°

Front Track: 1430 ± 2mm Front Toe: free.

Front Camber: -2° to -3°

Front Castor: 3° ± 30'

King Pin: 12°50' ± 30'

Brake Disc Diameters.

Front: 280 mm. Rear: 238 mm

Front Antiroll bar Diameter: 25.2 ± 0.05mm . Renault Part Number: 8200104120

Gearbox: Type JC5, suffix 130

Ratios

1st 11:34

2nd 22:41

3rd 28:37

4th 34:35

5th 39:31

Final drive: 15:61

6.4 Air conditioning

It is permitted to remove the air conditioning components in the engine bay with the following Renault parts:

| | | |
|-------|------------|-------------------|
| 1 off | 7703002855 | M10X Vis Embase |
| 1 off | 8200821816 | Belt |
| 1 off | 7703033159 | Nut M6x100 |
| 1 off | 7700104128 | Adjusting Bolt |
| 1 off | 7703002680 | M8x1 Vis Embase |
| 1 off | 7700868118 | Support Pump |
| 1 off | 8200031832 | Bracket Altern C2 |
| 4 off | 7703002847 | Washer |

1 off Alternator, Renault Part number 401745451, or of genuine aftermarket equivalent.

The Control Unit in the dashboard must be retained with all the associated wiring.

6.5

6.5.1 ECU Supplier

The mandatory ECU supplier is K-Tec Racing.

ECU Part Number: *KTR GEN90R750 Priced at £850+ VAT*

19 Black Moor Road

Ebbleke Industrial Estate

Verwood

Dorset

H31 6AX

Tel: 01202 820800

Email: sales@k-tecracing.com

Mandatory ECU Engine sensors: Renault Part numbers..

Water Temperature sensor: 8200561449

Air Temperature sensor: 7700101451

Knock Sensor: 7700866055

Line pressure sensor: 8200121800 or 8200719629

TDC sensor: 8200468645 or 8200647554

Throttle Body: 8200110994

Crankshaft sensor: N/A

Injectors: 7700109254

Fuel pump/sender: 8200057324

EGO [oxygen sensor]: 7700107433

6.5.2 Suspension supplier.

K-Tec Racing Clio Series specification front and rear coil-over suspension kit [four dampers + four springs] Part Number KTRSX9005 Priced at £850+ VAT, and Front Top Mounts 050/KIT/KTR/002 Priced at £139+ VAT.

19 Black Moor Road

Ebbleke Industrial Estate

Verwood

Dorset

BH31 6AX

Tel: 01202 820800

Email: sales@k-tecracing.com

NOTE: The basic kit is supplied with Springs, for other different spring rates contact K-Tec Racing [note these may cost more].

6.6 Details and specifications that enable compliance.

Engine Data:

Block: 7701472059

Crankshaft: 7700111886

Piston: B 7700112313

Conrod: 7701465146

Flywheel: 8200441371

Cylinder Head: 7701475731

Inlet Camshaft: 7700115267

Exhaust Camshaft: 8200032853

Subframe: 8200107153

Rear Axle: 8200354724

Heatsheilds

7700836471

7700836472

8200336737

7700436959

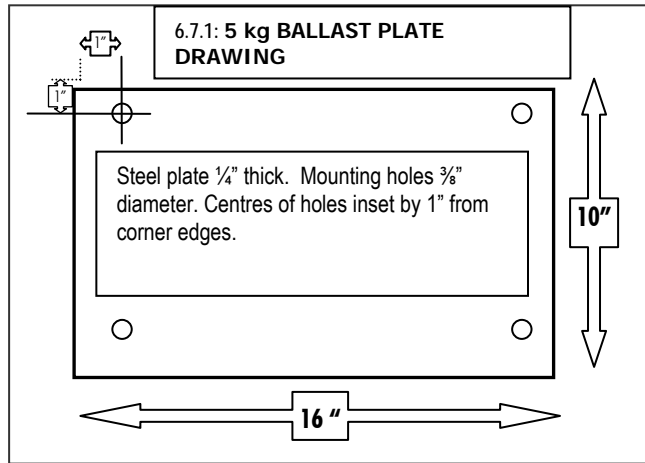
[8200336738]

These regulations are subject to change and admendment at any time during 2013 by giving 7 days notice to registered competitors.



Twin rear exhaust: 8200373726

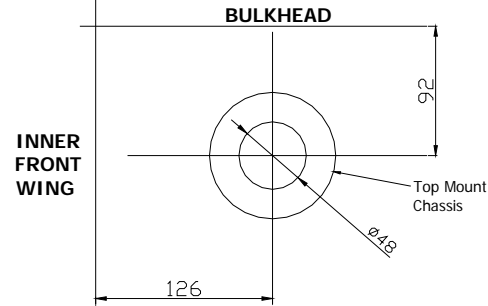
6.7: Drawings



6.7.3 TOP MOUNT PLATE POSITION [Ref:5.8.1.1]

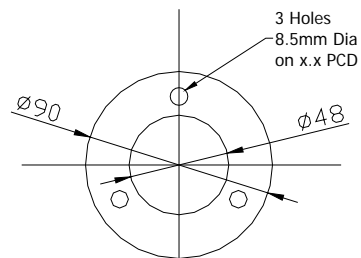
Nearside View.

Dimensions in mm
 Tolerance +/- 0.5mm



Repeat Mirror image for OFFSIDE.

6.7.2 TOP MOUNT PLATE [Ref:5.8.1.1]



Dimensions in mm
 Tolerance +/- 0.5mm

Material: 1.5mm thick steel.

Guidance Notes.

The Model type and especially the Vin must be used to ensure the competitors vehicle conforms to the regulations, and can also be used to acquire the correct spare parts.

The control ECU is designed and programmed to provide the optimum engine performance with the sensors listed, and with a standard component engine with a compression ratio of 11:1, running on pump fuel. By not using the specified standard parts or deviating in any way the engine performance will be reduced, and may result in permanent damaged. Also the ECU is capable of Data-logging, with most of the data being available to Scrutineering only. It is also capable of providing the competitor with fault coding and certain other data.

The series requires the eligible car to be the 182 CUP variant, however a 182 sport can be used provided the CUP options are fitted, pertaining to the Front suspension Hubs, flanges, and drive-shafts, front splitter and rear wing. Other 'CUP' requirements on trim and accessories are not perceived as relevant and thus do not need to be evident.

It is NOT considered viable to upgrade 172 type cars to the 182 CUP requirement.

Air conditioning, as stated can be removed, but only the compressor and radiator and associated piping in the engine bay. A kit of replacement parts is listed as mandatory to provide a reliable and compliant modification so each car is the same and easily policed. There are 'other' kits and methods that have and are proving to be very un-reliable and damaging engines when used in motorsport.

ESP must be disabled when racing, and at the moment this has to be selected by the driver, until a secure method is found.

ABS, two options its either you comply to option 1 or option 2 there is no combination allowed. The facts have confirmed the original concern and thus its either full standard ABS or Non ABS but the fitting of a mandatory brake bias valve for the rear brakes to avoid lock up but also to comply with MSA regulations requiring the 25% braking to the rear wheels. The ABS ECU will remain operational with both options, and the standard wheel sensors have to be fitted and working. The Engine ECU uses the wheel sensor data and ABS ECU interface, and Scrutineering can access this data to ensure function and gearbox/final drive ratio.

It is allowed to 'Buff' the tyres, an unfortunate result from using lower cost road tyres, however other types may not need this.

Gearbox ratios are stipulated, so ensure the gearbox fitted is the correct type JC5 suffix 130, as it can be checked electronically.

There are 'other' useful Renault part numbers listed to determine the exact part requirement for the race car eligibility.

No car picture as yet determining decals, however there will be a single front windscreen decal, 750MC decals, and three sponsor decals requiring space on the Clio. Number plate size panels, front and rear are mandatory to carry the series identity.

Its VERY SIMPLE, IF IN DOUBT ASK.

Admended Iss 4. 07/02/13: EGO added, Flywheel added, Heat shields added, exhaust added.

Admended Iss 5. 29/03/13: Detail in Italics print: 5.6.1.3 headlamp washers removed; 5.7.7 Ecu part No added; 5.8.1 and 2, suspension part numbers added; 5.9 wires/wireless added; 5.11 ABS options added; 6.3 gearbox ratios added, tolerances added; 6.5 supplier details added. Changes to guidance notes.

Admended Iss 6. 24/04/13: Tyres, 1A and 1B now listed.

Admended Iss 7. 30/04/13: 5.8.1 and 7.0 servicing and repairs statement added to use sole supplier only.

These regulations are subject to change and admendment at any time during 2013 by giving 7 days notice to registered competitors.